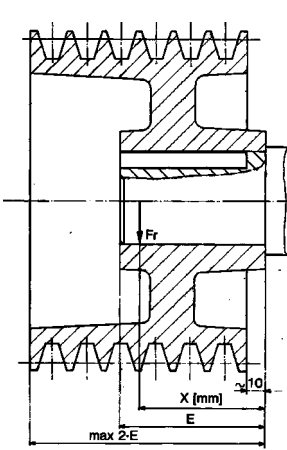


Pacco <i>Lenght</i>	Max potenza eccitazione <i>Max excitation power</i>	Momento di inerzia <i>Moment of inertia</i>	Dimensioni spazzole <i>Brushes dimensions</i>	Cuscinetto lato accoppiamento <i>Drive end bearing</i>		Cuscinetto lato collettore <i>No-drive end bearing</i>	Peso <i>Weight</i>
				Sfere <i>Balls</i>	Rulli <i>Rollers</i>		
	W	Kg · m ²	mm				Kg
S	720	0.080	12.5x25x40	6310 - 2Z - C3	NU 310	6310 - 2Z - C3	149
M	770	0.114					166
L	820	0.160					184
P	910	0.214					203

Dati ventilazione <i>Ventilation</i>		Elettroventilatore <i>Electrofan</i>		Rumorosità <i>Noise</i>
Portata <i>Air flow</i>	Prevalenza <i>Pressure</i>	Potenza <i>Power</i>	I a 380 V <i>I at 380 V</i>	
m ³ /h	mm H ₂ O	Kw	A	dB _A
600	85	0.37	1.1	75

Carico radiale (Newton) ammissibile per una durata teorica del cuscinetto lato accoppiamento di 20.000 ore <i>Admitted radial load (Newton) for a theoetic 20.000 hours of the drive end bearing</i>													
	rpm												
		Fr (N)											
		200	400	600	1000	1200	1500	2000	2500	3000	3500	4000	4500
6310 - 2Z - C3	X												
	0	8000	6200	5300	4300	4000	3600	3200	2900	2700	2500	2300	2100
	20	7600	5900	5100	4100	3850	3500	3050	2700	2600	2400	2200	2000
	40	7300	5600	4800	3900	3700	3300	2900	2600	2400	2300	2100	1900
	60	6900	5400	4600	3700	3500	3100	2700	2400	2300	2100	2000	1800
	80		5200	4400	3600	3300	3000	2600	2300	2200	2000	1900	1700
NU 310 ECP	X												
	0	14200	10300	10000	8400	7900	7400	6700	6150	5800	5500	5200	4800
	20			9600	8000	7600	7100	6400	5900	5500	5300	4900	4600
	40				7600	7200	6800	6100	5600	5200	5000	4700	4300
	60					6900	6400	5800	5300	5000	4800	4500	4100
	80						6200	5600	5100	4800	4600	4300	4000

MM 132 M

	VELOCITÀ [rpm] ALLE TENSIONI						P [kw]	I [A]	η [%]	ARMATURA	
	220V	260V	330V	400V	440V	520V				L [mH]	R ₁₁₅ [Ω]
A	2290						31.3	160	0.887	0.9	0.11
		2750					37.4	160	0.899		
			3550				48.2	160	0.912		
B	1670						25	131.5	0.864	1.5	0.18
		2010					30.2	131.5	0.881		
			2610				39.1	131.5	0.899		
				3210			48	131.5	0.911		
					3560		53	131.5	0.915		
C	1290						19.3	105.1	0.835	2.4	0.29
		1560					23.5	105.1	0.857		
			2040				30.6	105.1	0.881		
				2520			37.7	105.1	0.896		
					2800		41.8	105.1	0.903		
D						3350	48.7	102.7	0.811	3.4	0.41
	1040						16.1	89.5	0.817		
		1270					19.6	89.5	0.841		
			1670				25.7	89.5	0.870		
				2070			31.8	89.5	0.887		
E						2300	35.3	89.5	0.895	4.7	0.55
						2760	41.4	87.4	0.904		
	870						13.1	74.8	0.790		
		1060					16	74.8	0.818		
			1410				21.1	74.8	0.851		
F						1750	26.2	74.8	0.873	6.1	0.74
						1950	29.1	74.8	0.882		
						2340	34.9	74.8	0.895		
	730						10.9	65.3	0.757		
		900					13.5	65.3	0.792		
G						1500	22.4	65.3	0.856	7.7	0.94
						1670	25	65.3	0.867		
						2020	30	65.3	0.883		
		780					11.7	58.2	0.768		
			1040				15.7	58.2	0.813		
H						1310	19.6	58.2	0.841	9.6	1.2
						1460	21.9	58.2	0.853		
						1770	26.4	58.2	0.72		
		670					10.1	52.2	0.739		
			910				13.7	52.2	0.790		
I						1150	17.2	52.2	0.823	11.6	1.4
						1290	19.2	52.2	0.836		
						1560	23.3	52.2	0.858		
						820	12.3	47.5	0.779		
						1040	15.5	47.5	0.813		
					1160	17.4	47.5	0.828			
					1410	21.1	47.5	0.850			

	VELOCITÀ [rpm] ALLE TENSIONI						P [kw]	I [A]	η [%]	ARMATURA		
	220V	260V	330V	400V	440V	520V				L [mH]	R ₁₁₅ [Ω]	
J										13.8	1.7	
				730				11.3	44.7			0.764
					930			14.4	44.7			0.802
						1040		16.2	44.7			0.818
K										16.2	1.9	
				660				10	40.3			0.749
					850			12.8	40.3			0.790
L										18.7	2.2	
					780			11.5	36.9			0.779
						880		13	36.9			0.797
M										21.5	2.6	
					700			10.6	34.8			0.756
						800		11.9	34.8			0.776
					980		14.6	34.8	0.807			

I dati riportati fanno riferimento a motori:

- con ventilazione assistita addossata PVA
- in servizio continuo CEI S1
- con alimentazione con fattore di forma = 1
- con temperatura massima ambiente 40 °C
- con altitudine s.l.m. max 1000 m.

MM 132 L

	VELOCITÀ [rpm] ALLE TENSIONI						P [kw]	I [A]	η [%]	ARMATURA	
	220V	260V	330V	400V	440V	520V				L [mH]	R ₁₁₅ [Ω]
A	1890						31.1	160	0.881	1.1	0.12
		2270					37.2	160	0.894		
			2940				48	160	0.908		
				3610			58.7	160	0.917		
B	1360						24.1	128.7	0.850	1.9	0.21
		1650					29.1	128.7	0.869		
			2150				37.8	128.7	0.890		
				2650			46.5	128.7	0.903		
					2930		51.5	128.7	0.908		
C	1050						18.6	102.8	0.821	3.0	0.33
		1280					22.6	102.8	0.844		
			1680				29.6	102.8	0.871		
				2080			36.6	102.8	0.888		
					2310		40.5	102.8	0.895		
D	850						15.4	87.6	0.797	4.3	0.46
		1040					18.8	87.6	0.825		
			1370				24.8	87.6	0.857		
				1710			30.8	87.6	0.877		
					1900		34.1	87.6	0.885		
E	700						12.5	73.2	0.770	5.8	0.62
		870					15.3	73.2	0.803		
			1150				20.3	73.2	0.840		
				1440			25.3	73.2	0.863		
					1600		28.2	73.2	0.873		
F		730					12.9	63.9	0.772	7.6	0.84
			980				17.2	63.9	0.816		
				1230			21.6	63.9	0.844		
					1370		24.1	63.9	0.856		
						1660	29	63.9	0.873		
G			840				14.9	56.9	0.790	9.6	1.1
				1060			18.8	56.9	0.823		
					1190		21	56.9	0.873		
						1450	25.5	56.9	0.858		
H			750				13.2	51.1	0.779	11.8	1.3
				950			16.7	51.1	0.814		
					1060		18.7	51.1	0.829		
						1290	22.6	51.1	0.851		
I			670				11.8	46.5	0.769	14.3	1.5
				850			15	46.5	0.806		
					960		16.9	46.5	0.822		
						1160	20.5	46.5	0.846		

	VELOCITÀ [rpm] ALLE TENSIONI						P [kw]	I [A]	η [%]	ARMATURA	
	220V	260V	330V	400V	440V	520V				L [mH]	R ₁₁₅ [Ω]
J										17	1.9
				760			13.8	43.8	0.784		
					850		15.5	43.8	0.802		
K										20	2.2
				680			12.1	39.4	0.765		
					770		13.7	39.4	0.785		
					950	16.8	39.4	0.815			

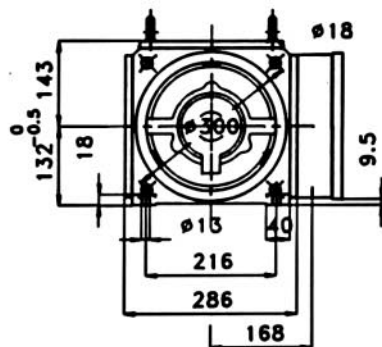
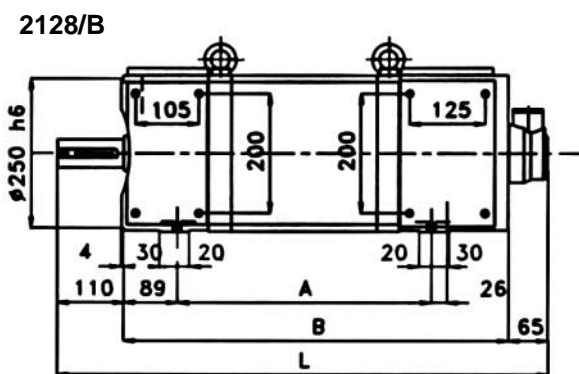
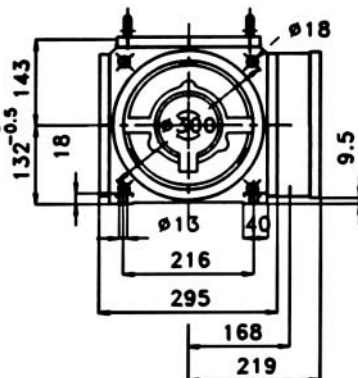
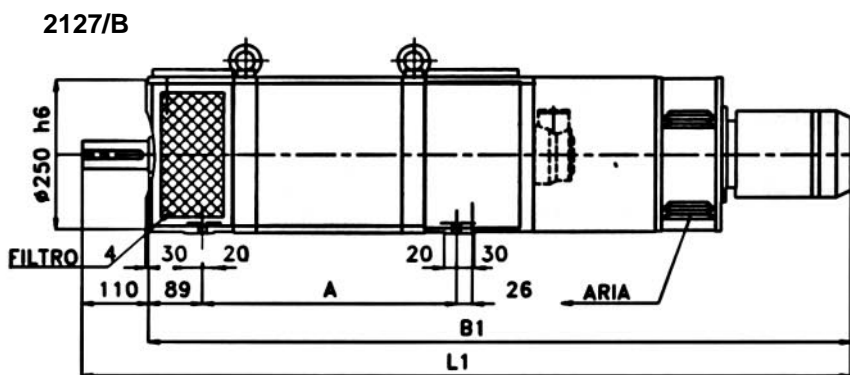
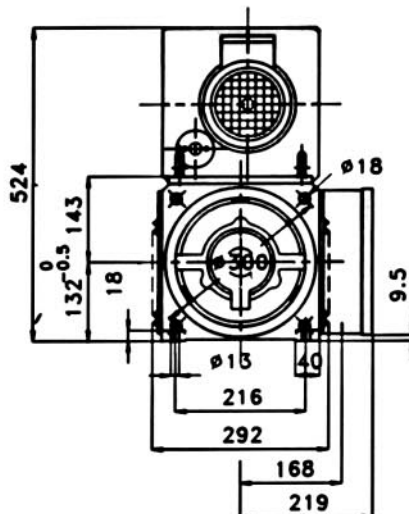
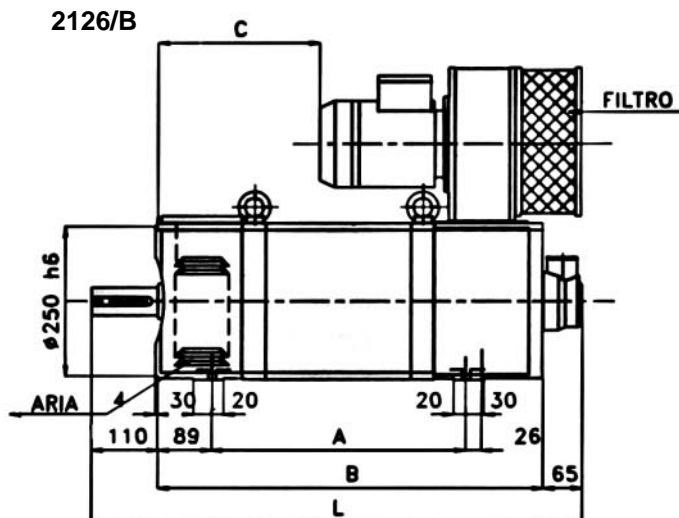
c) The data shown refer to motors:

- with assisted leaning ventilation PVA
- in continuous service CEI S1
- with form factor = 1
- with maximum room temperature 40 °C
- with maximum height above sea level 1000 m.

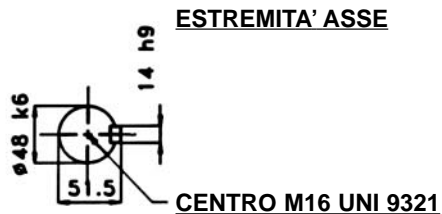
MM 132 P

	VELOCITÀ [rpm] ALLE TENSIONI						P [kw]	I [A]	η [%]	ARMATURA	
	220V	260V	330V	400V	440V	520V				L [mH]	R _{115°} [Ω]
A	1620						30.9	160	0.876	1.2	0.13
		1850					37.1	160	0.891		
			2520				48	160	0.908		
				3100			58.8	160	0.918		
					3430		65	160	0.922		
B	1160						23.6	127.5	0.840	2.2	0.24
		1410					28.6	127.5	0.861		
			1840				37.3	127.5	0.885		
				2270			46	127.5	0.900		
					2520		50.9	127.5	0.907		
C	890						18.2	101.9	0.809	3.4	0.37
		1090					22.1	101.9	0.834		
			1430				29.1	101.9	0.865		
				1780			36.1	101.9	0.884		
					1980		40	101.9	0.892		
D	720						14.9	86.8	0.779	5.0	0.51
		880					18.3	86.8	0.810		
			1170				24.3	86.8	0.846		
				1460			30.2	86.8	0.869		
					1620		33.6	86.8	0.878		
E							39.4	84.8	0.893	6.7	0.69
		730					14.9	72.6	0.785		
			980				19.8	72.6	0.826		
				1220			24.8	72.6	0.853		
					1370		27.6	72.6	0.864		
F							33.3	72.6	0.881	8.8	0.93
			830				16.8	63.3	0.800		
				1040			21.1	63.3	0.831		
					1170		23.6	63.3	0.845		
						1410	28.5	63.3	0.865		
G										11.1	1.2
			710				14.5	56.4	0.774		
				900			18.3	56.4	0.810		
					1010		20.5	56.4	0.825		
						1230	25	56.4	0.849		
H										13.8	1.5
				790			16	50.6	0.790		
					890		18	50.6	0.808		
						1090	22	50.6	0.834		
I										16.6	1.7
				720			14.5	46.1	0.785		
					810		16.3	46.1	0.803		
						990	19.9	46.1	0.830		

	VELOCITÀ [rpm] ALLE TENSIONI						P [kw]	I [A]	η [%]	ARMATURA	
	220V	260V	330V	400V	440V	520V				L [mH]	R _{115°} [Ω]
J										19.8	2.1
						720	15.0	43.4	0.784		
						880	17.8	41.9	0.812		



Tipo Type	Ingombri massimi / Max overall					
	A	B	B1	C	L	L1
S	330	547	1065	126	720	1175
M	375	592	1110	221	765	1220
L	420	637	1155	266	810	1265
P	460	677	1195	306	850	1310



La MAGNETIC si riserva la facoltà di cambiare senza preavviso i dati contenuti nel presente catalogo. / MAGNETIC reserves the right to change any data contained in this catalogue, without previous notice.